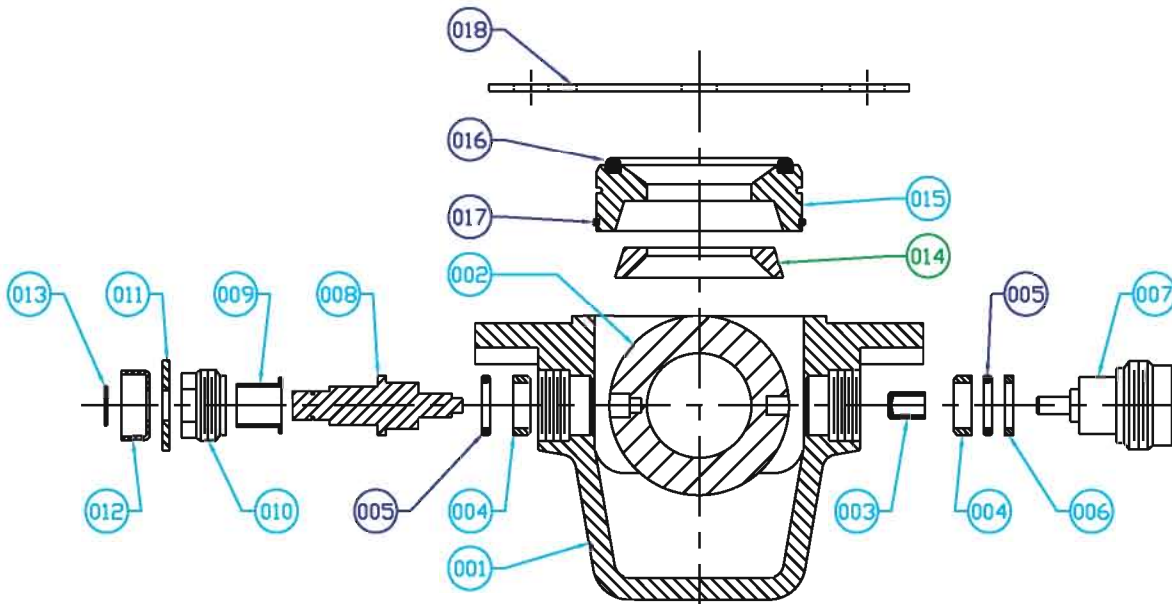


- Replace every repair
- Min. 2 turns or replace if damaged
- Min. 3 turns or replace if damaged
- Replace only if damaged
- Not applicable



SECTION: A-A

-	B	DET #018 WAS LISTED AS GENERAL	05-24-2004	REICH	GPS
-	A	ADDED COMPONENT TYPE COLUMN	04-29-03	M.C.S.	B.R.
ZONE	REV	REVISION DESCRIPTION	DATE	REVISED BY	APPROVED BY

UNLESS OTHERWISE SPECIFIED DIMENSIONS ARE IN INCHES GENERAL TOLERANCES		PROJECTION 	DO NOT SCALE THIS DRAWING BREAK ALL SHARP EDGES REMOVE BURRS & FLASH	AMERICAN MACHINING, INC. FENTON, MICHIGAN
FRACTIONS: ± 1/32 DECIMALS: ± .010 .xxx DECIMALS: ± .005 .xxxx DECIMALS: ± .001 ANGLES: ± 1°	FINISH: N/A ✓ SPECIAL FINISH: N/A		DESCRIPTION VALVE - 2" UNIVERSAL SERVICE PARTS INFORMATION	
THIS DRAWING HAS BEEN FURNISHED BY AMERICAN MACHINING, INC. THE INFORMATION AND KNOW-HOW CONTAINED MAY NOT BE USED NOR MAY THE DRAWING BE REPRODUCED WITHOUT THE WRITTEN PERMISSION OF AMERICAN MACHINING, INC. ALL REPRODUCTIONS IN WHOLE OR IN PART, INCLUDING VENDOR SHOP DRAWINGS, SHALL BEAR OR REFER TO THIS NOTE.		DRAWN BY: M. SCHULTE 05-19-03 CHECKED BY: B. REICH 04-06-04	SIZE A	PART NUMBER 110475
APPROVED BY: _____ DATE _____		SCALE: NONE MAT'L: N/A	REV B	SHEET 1 OF 2



ITEM NO.	PART NUMBER	QUANTITY	DESCRIPTION	TURNS
001	110229	1	HOUSING - VALVE 316 SS	
002	110246	1	BALL	
003	110537	1	BEARING - TRUNNION	
004	110679	2	RING - STEM SUPPORT	
005	110677	2	O-RING - BUNA 70 *	
006	110678	1	GLAND - SUPPORT	
007	110247	1	TRUNNION	
008	110899	1	STEM	
009	110248	1	SUPPORT - STEM	
010	110250	1	BUSHING - 304 SS	
011	110252	1	STOP - INDICATOR	
012	110255	1	CUP - STEM	
013	110245	1	RING - RETAINER	
014	110282	1	SEAL - UNIVERSAL VALVE	
015	110281	1	RETAINER - SEAL	
016	110081	1	O-RING - BUNA 70 *	
017	110384	1	O-RING - BUNA 70 *	
018	110747	1	GASKET - 1/8" THK BUNA 80 DUROMETER	



* INCLUDED IN SEAL KIT P/N 110476

- Replace every repair
- Min. 2 turns or replace if damaged
- Min. 3 turns or replace if damaged
- Replace only if damaged
- Not applicable

-	B	DET #018 WAS LISTED AS GENERAL	05-24-2004	REICH	GPS
-	A	ADDED COMPONENT TYPE COLUMN	04-29-03	M.C.S.	B.R.
ZONE	REV	REVISION DESCRIPTION	DATE	REVISED BY	APPROVED BY

UNLESS OTHERWISE SPECIFIED DIMENSIONS ARE IN INCHES GENERAL TOLERANCES			DO NOT SCALE THIS DRAWING BREAK ALL SHARP EDGES REMOVE BURRS & FLASH		AMERICAN MACHINING, INC. FENTON, MICHIGAN
FRACTIONS: ± 1/32 DECIMALS: ± .010 .XX DECIMALS: ± .005 .XXX DECIMALS: ± .001 .XXXX DECIMALS: ± 1° ANGLES:	FINISH: N/A ✓ SPECIAL FINISH: N/A		DESCRIPTION VALVE - 2" UNIVERSAL SERVICE PARTS INFORMATION		
THIS DRAWING HAS BEEN FURNISHED BY AMERICAN MACHINING, INC. THE INFORMATION AND KNOW-HOW CONTAINED MAY NOT BE USED NOR MAY THE DRAWING BE REPRODUCED WITHOUT THE WRITTEN PERMISSION OF AMERICAN MACHINING, INC. ALL REPRODUCTIONS IN WHOLE OR IN PART, INCLUDING VENDOR SHOP DRAWINGS, SHALL BEAR OR REFER TO THIS NOTE.		DRAWN BY: M. SCHULTE 05-19-03 CHECKED BY: B. REICH 04-06-04	APPROVED BY: _____ DATE: _____	SIZE A	PART NUMBER 110475
		SCALE: NONE MAT'L: N/A	REV B	SHEET 2 OF 2	