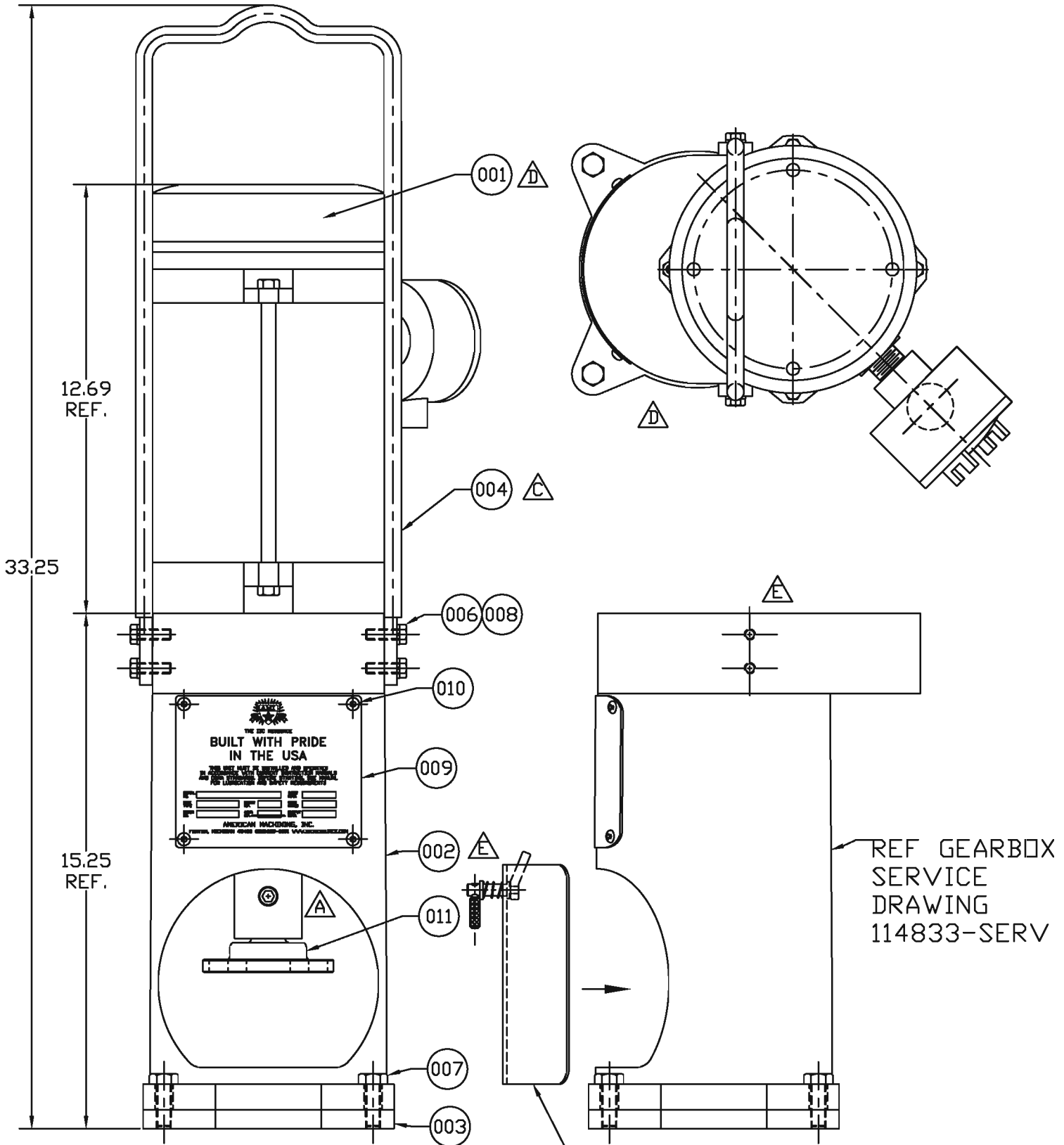


B

A



12.69
REF.

33.25

15.25
REF.

001 Δ D

004 Δ C

006 008

010

009

002 Δ E

011 Δ A

007

003

012 Δ B

REF GEARBOX
SERVICE
DRAWING
114833-SERV

INSTALL GUARD
PRIOR TO USE

REVISIONS

ZONE	REV	DESCRIPTION	DATE	REVISED BY	APPROVED BY
-	A	CORRECTED THREAD CALL-OUT	02-04-02	M.C.S.	G.P.S.
-	A	REDRAWN TO SCALE	02-04-02	M.C.S.	G.P.S.
-	A	REMOVED DETAIL #5 (WAS 112866 SET SCREW)	02-04-02	M.C.S.	G.P.S.
-	B	ADDED PN 114090	02-04-02	M.C.S.	G.P.S.
-	C	DET. #004 WAS 113233	04-23-02	M.C.S.	G.P.S.
-	D	MOTOR SHAFT NOTE REMOVED / ADDED 3RD VIEW / UPDATED DET. 001	10-21-03	M.C.S.	B.R.
-	E	DETAIL 002 WAS 112839 / REMOVED NOTE	12-03-03	M.C.S.	B.R.

△ E

△ D



△ E

△ C

△ A

△ B

DETAIL	QTY.	PART NO.	DESCRIPTION
001	1	113636	MOTOR - 2 HP ELECTRIC EXPLOSION PROOF
002	1	114834	GEARBOX - W/ TAPPED HOLES @ 4-1/2"
003	1	112859	FLANGE - DRIVE ADAPTER / QUICK CONNECT BASE 1020 HRS
004	1	114288	HANDLE - 1/2" DIA X 19-1/2" OAH HVY DUTY LIFTING ASSY.
005	---	---	---
006	4	112975	SCREW - HHCS ZINC PLT
007	4	112867	SCREW - HHCS GR 8 ZINC
008	4	112755	WASHER - SPLIT LOCK ZINC PLT
009	1	111645	TAG - 16 GA X 4-1/2" X 5-1/2" AMI ID 304 SS
010	4	112972	SCREW - BUTTON HD CAP 18-8 SS
011	1	112966	COUPLING - 3.87" DIA X 3" LG DRIVE OUTPUT
012	1	114090	GUARD ASSY. - DRIVE MOTOR

UNLESS OTHERWISE SPECIFIED DIMENSIONS ARE IN INCHES GENERAL TOLERANCES FRACTIONS: .XX DECIMALS: ± .010 .XXX DECIMALS: ± .005 .XXXX DECIMALS: ± .001 ANGLES: ± 1°		PROJECTION  DO NOT SCALE THIS DRAWING BREAK SHARP EDGES REMOVE BURRS & FLASH	 AMERICAN MACHINING, INC. FENTON, MICHIGAN
THIS DRAWING HAS BEEN FURNISHED BY AMERICAN MACHINING, INC. THE INFORMATION AND KNOW-HOW CONTAINED MAY NOT BE USED NOR MAY THE DRAWING BE REPRODUCED WITHOUT THE WRITTEN PERMISSION OF AMERICAN MACHINING, INC. ALL REPRODUCTIONS IN WHOLE OR IN PART, INCLUDING VENDOR SHOP DRAWINGS, SHALL BEAR OR REFER TO THIS NOTE.		FINISH: SEE PAINT NOTE ✓ SPECIAL FINISH: N/A DRAWN BY: R. KING 08-16-01 CHECKED BY: B. REICH 12-03-03 APPROVED BY: <i>B. Reich</i> 03/Dec/03 DATE:	DESCRIPTION DRIVE - 2 HP ELEC. EXPLOSION PROOF W/QUICK CONNECT COUPLING SIZE: B PART NUMBER: 113704-SERVICE REV: E SCALE: 1/4 MAT'L: AS NOTED SHEET 1 OF 1