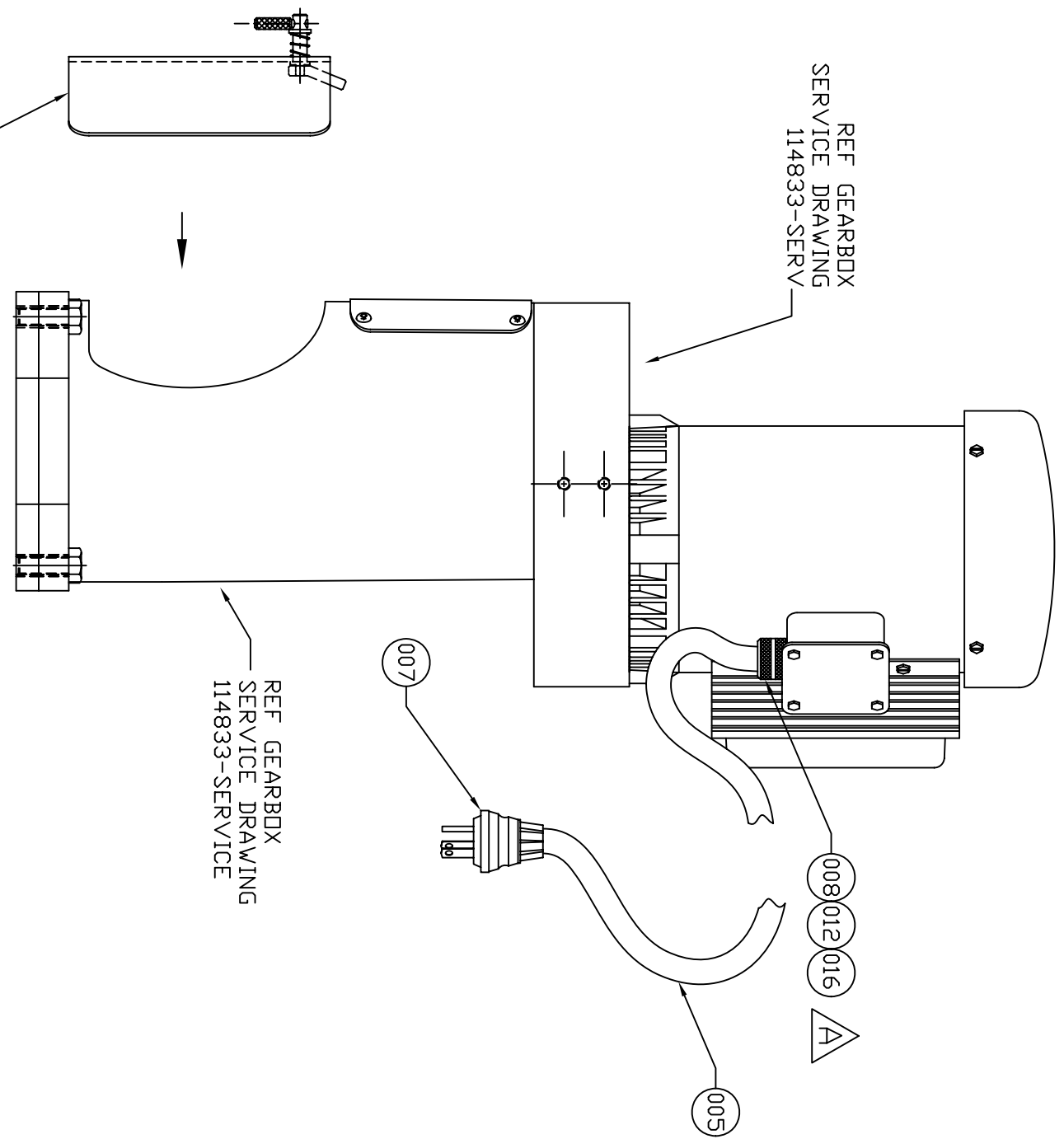
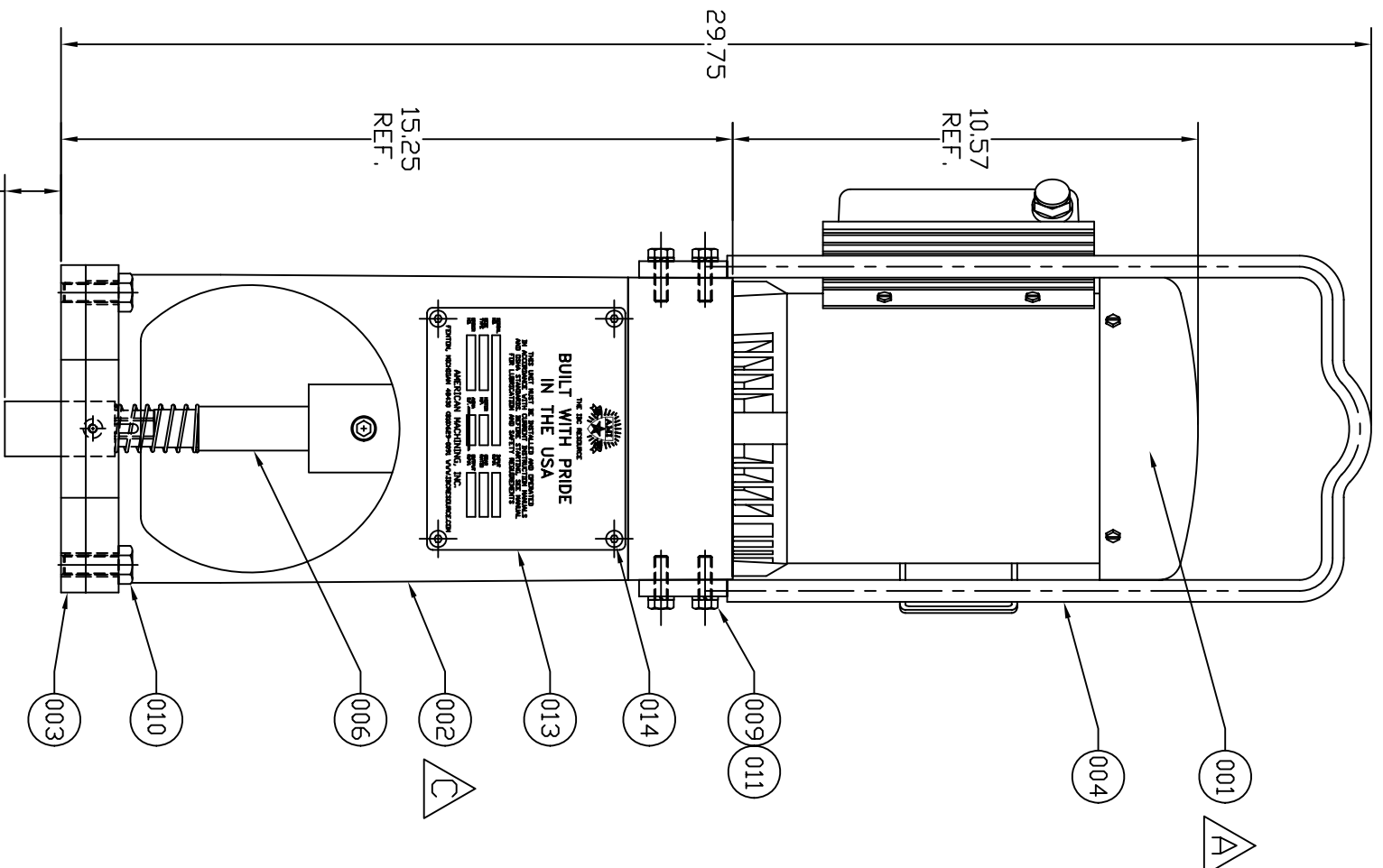


ELECTRICAL CONNECTION	
LOW VOLTAGE (115V)	
BLACK	LINE
WHITE	NEUTRAL
PINK	TIE TOGETHER
PINK	GROUND
GREEN	GROUND
HIGH VOLTAGE (230V)	
BLACK	LINE
WHITE	LINE
PINK	INSULATE SEPARATELY
PINK	SEPARATELY
GREEN	GROUND



NOTE: THIS UNIT IS NOT RATED FOR HAZARDOUS ATMOSPHERES

DETAIL	QTY.	PART NO.	DESCRIPTION
001	1	114304	MOTOR - 1 HP 250-2400 RPM VAR. W/ INTEGRAL DRIVE
002	1	114834	GEARBOX
003	1	112859	FLANGE - DRIVE ADAPTER
004	1	113233	HANDLE - HEAVY DUTY LIFT
005	15	114305	CABLE - 12/3 SOOW UL/CSA LISTED ELECTRICAL
006	1	113981	ADAPTER - HEX SHAFT ASSEMBLY
007	1	114306	PLUG - MALE
008	1	114360	GRIP - MALE CORD FITTING
009	4	112975	SCREW - HHCS ZINC PLT
010	4	112867	SCREW - HHCS ZINC PLT
011	4	112755	WASHER - SPLIT LOCK ZINC PLT
012	1	114361	WASHER - CONDUIT LOCK
013	1	111645	TAG - AMI ID 304 SS
014	4	112972	SCREW - BUTTON HD CAP 18-8 SS
015	1	114090	GUARD - DRIVE MOTOR ASSY
016	1	114362	NUT - CONDUIT LOCK ZINC PLATED

REVISIONS

ZONE	REV	DESCRIPTION	DATE	REVISED BY	APPROVED BY
-	A	DET. #008 WAS 114307	06-21-02	M.C.S.	G.P.S.
-	A	DET. #012 WAS (D) 114308	06-21-02	M.C.S.	G.P.S.
-	A	ADDED DET. #016 (114362 - NUT - 1/2" NPT CONDUIT LOCK)	06-21-02	M.C.S.	G.P.S.
-	A	REMOVED FEET FROM MOTOR	06-21-02	M.C.S.	G.P.S.
-	B	MOTOR SHAFT NOTE REMOVED	09-29-03	M.C.S.	B.R.
-	C	DETAIL 002 WAS 112839 / REMOVED NOTE	12-03-03	M.C.S.	B.R.

UNLESS OTHERWISE SPECIFIED DIMENSIONS ARE IN INCHES
 FRACTIONS: DECIMALS: DECIMALS: DECIMALS: ANGLES: ANGLES:
 ± 1/32 ± .010 ± .005 ± .001 ± 1°
 FINISH: N/A
 DO NOT SCALE THIS DRAWING
 BREAK SHARP EDGES
 REMOVE BURRS & FLASH
 PRODUCTION
 SPECIAL FINISH: N/A
 DRAWN BY: M. SCHULTE
 CHECKED BY: B. REICH
 DATE: 05-23-02
 12-03-03
 APPROVED BY: B. REICH
 DATE: 02/12/03
 SCALE: 1/4
 SHEET 1 OF 1

AMERICAN MACHINING, INC.
 FENTON, MICHIGAN

DRIVE - 1 HP VARIABLE SPEED ELEC. ASSY
 W/ HEX OUTPUT SHAFT 115/230 VAC 1PH 60 HZ
 PART NUMBER: 114300 - SERVICE
 REV: C