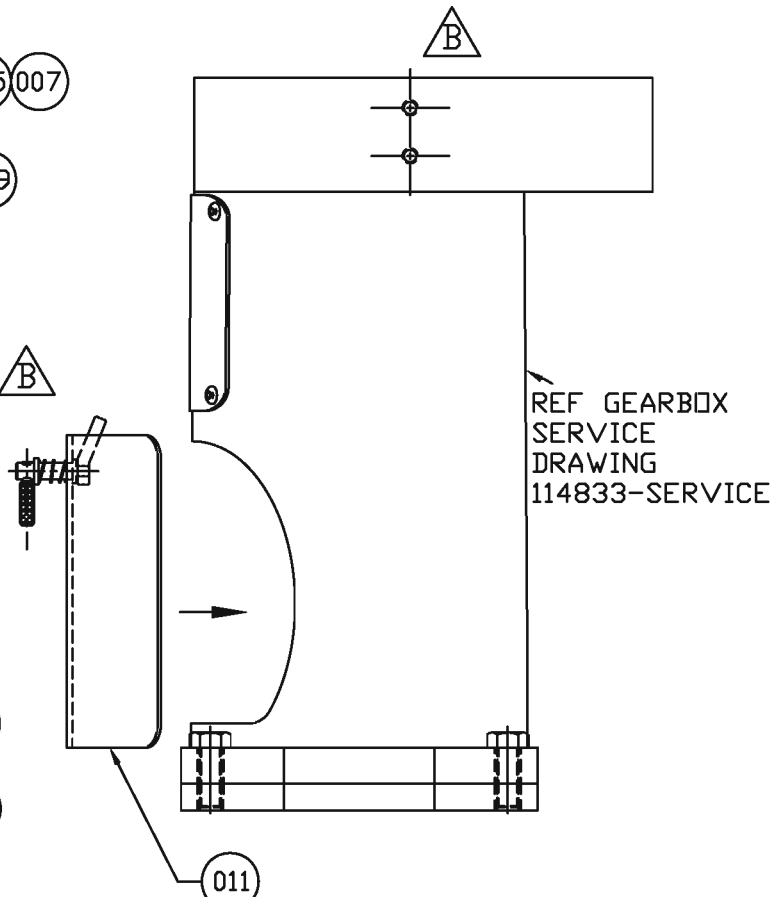
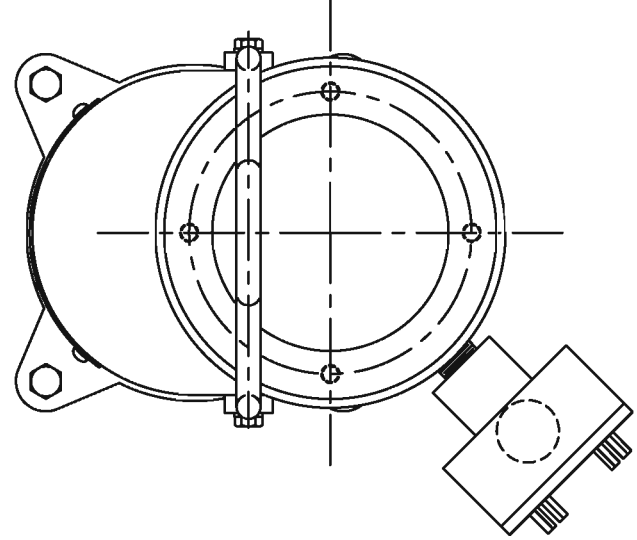
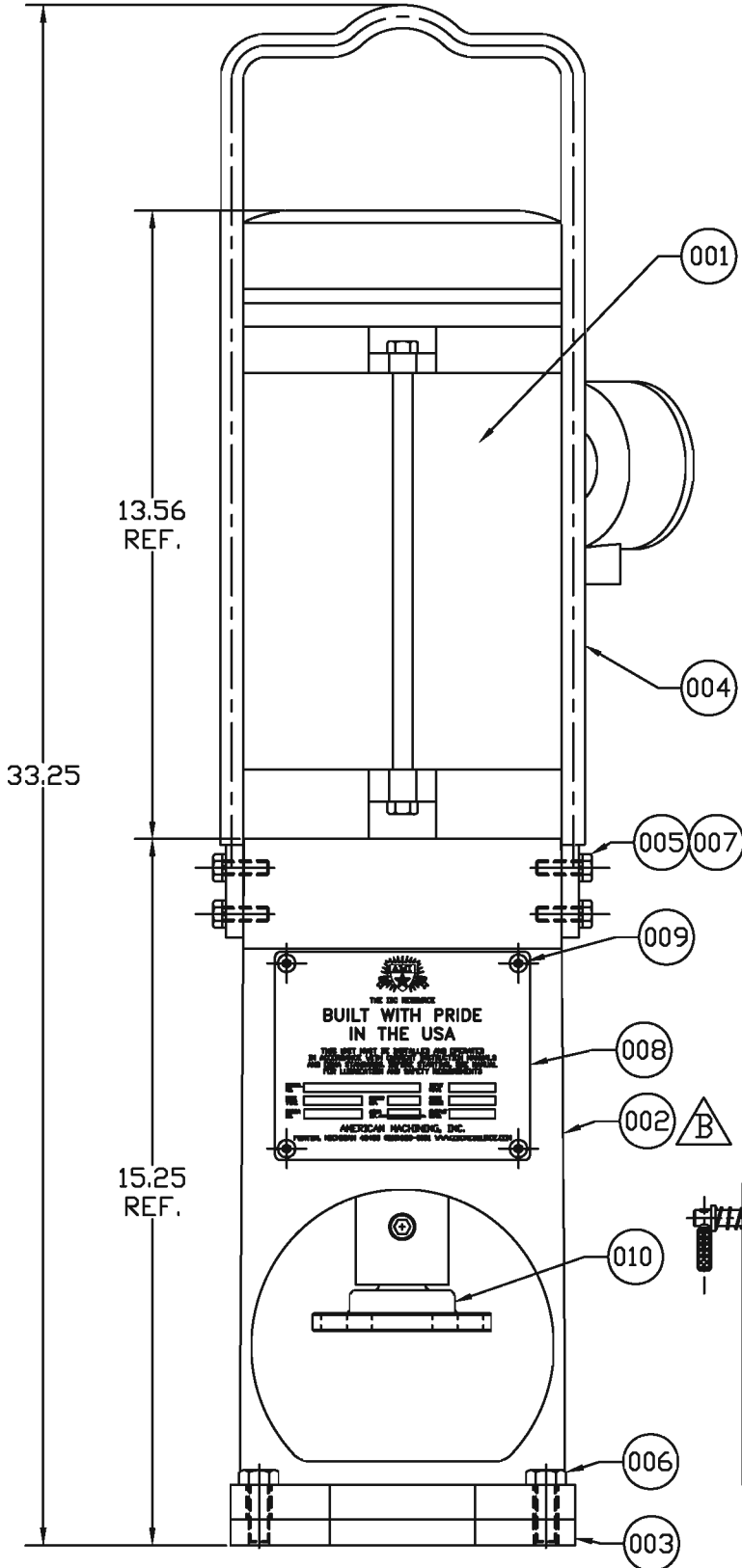


B

A



INSTALL GUARD  
 PRIOR TO USE

REVISIONS

ZONE	REV	DESCRIPTION	DATE	REVISED BY	APPROVED BY
-	A	MOTOR SHAFT NOTE REMOVED	09-29-03	M.C.S.	B.R.
-	B	DETAIL 002 WAS 112839 / REMOVED NOTE	12-03-03	M.C.S.	B.R.



DETAIL	QTY.	PART NO.	DESCRIPTION
001	1	114395	MOTOR - 3HP ELECTRIC EXPLOSION PROOF
002	1	114834	GEARBOX - W/ TAPPED HOLES @ 4-1/2"
003	1	112859	FLANGE - 10" DIA X .81 LG DRIVE ADAPTER
004	1	114288	HANDLE - 1/2" DIA HEAVY DUTY LIFTING CRS
005	1	112975	SCREW - HHCS ZINC PLT
006	4	112867	SCREW - HHCS GR 8 ZINC
007	4	112755	WASHER - SPLIT LOCK ZINC PLT
008	4	111645	TAG - 16 GA X 4-1/2" X 5-1/2" AMI ID 304 SS
009	1	112972	SCREW - BUTTON HD CAP 18-8
010	4	112966	COUPLING - 3.87" DIA X 3" LG DRIVE 304 SS
011	1	114090	GUARD - DRIVE MOTORS



UNLESS OTHERWISE SPECIFIED DIMENSIONS ARE IN INCHES GENERAL TOLERANCES FRACTIONS: $\pm 1/16$ .XXX DECIMALS: $\pm .010$ .XXX DECIMALS: $\pm .005$ .XXXX DECIMALS: $\pm .001$ ANGLES: $\pm 1^\circ$		PROJECTION 	DO NOT SCALE THIS DRAWING BREAK SHARP EDGES REMOVE BURRS & FLASH	AMERICAN MACHINING, INC. FENTON, MICHIGAN
THIS DRAWING HAS BEEN FURNISHED BY AMERICAN MACHINING, INC. THE INFORMATION AND KNOW-HOW CONTAINED MAY NOT BE USED NOR MAY THE DRAWING BE REPRODUCED WITHOUT THE WRITTEN PERMISSION OF AMERICAN MACHINING, INC. ALL REPRODUCTIONS IN WHOLE OR IN PART, INCLUDING VENDOR SHOP DRAWINGS, SHALL BEAR OR REFER TO THIS NOTE.		FINISH: AMI RED LAQUER ✓ SPECIAL FINISH: N/A DRAWN BY: M. SCHULTE    07-23-02 CHECKED BY: B. REICH    12-03-03	DESCRIPTION DRIVE - 3 HP ELEC. EXPLOSION PROOF W/ QUICK CONNECT COUPLING	SIZE: B    PART NUMBER: 114393-SERVICE    REV: B
APPROVED BY: _____    DATE: _____		SCALE: 1/4    MAT'L: AS NOTED	SHEET 1 OF 1	

