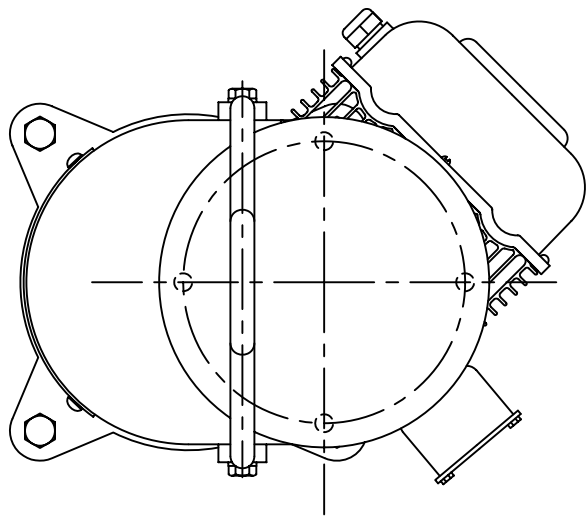


4

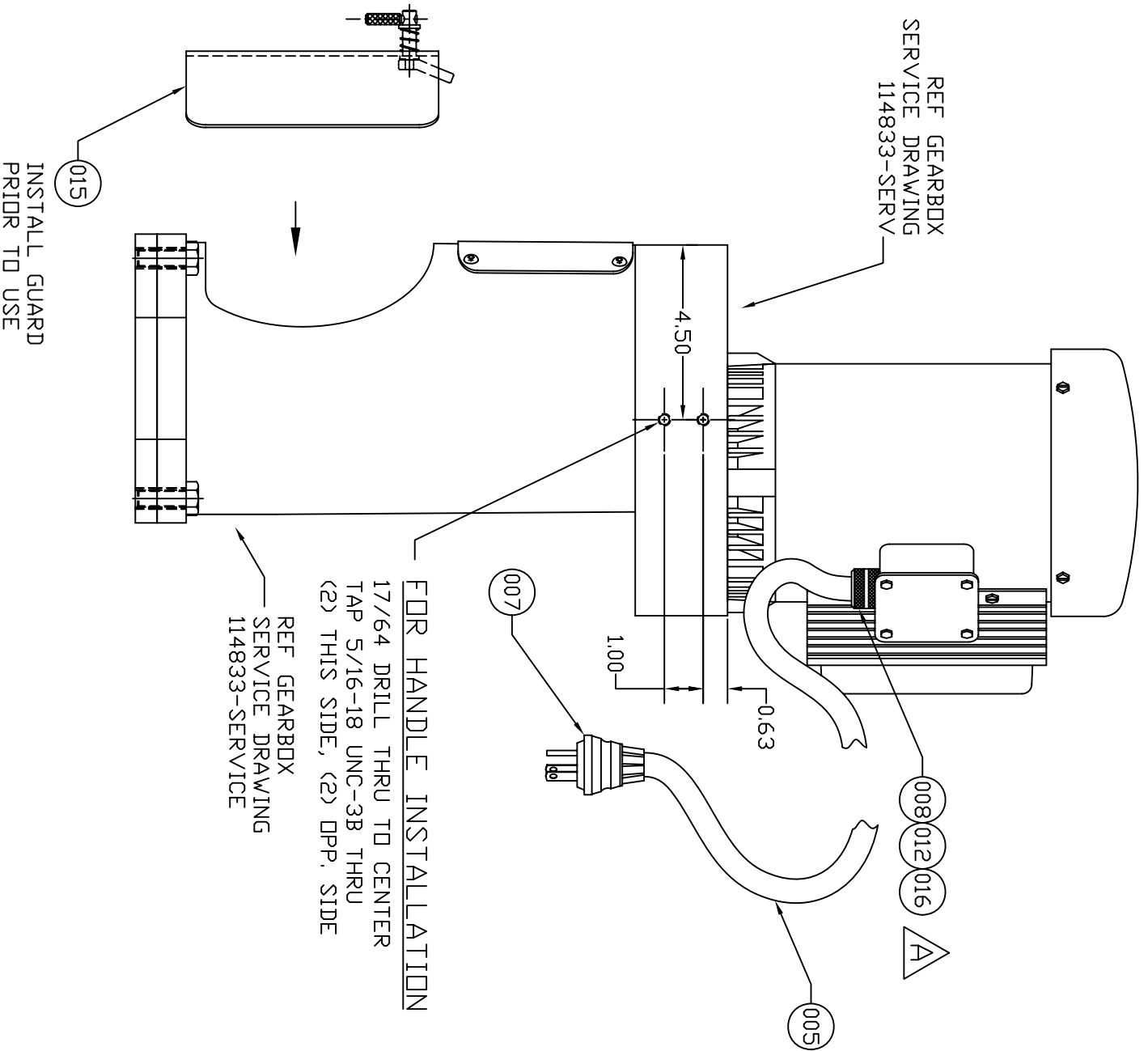
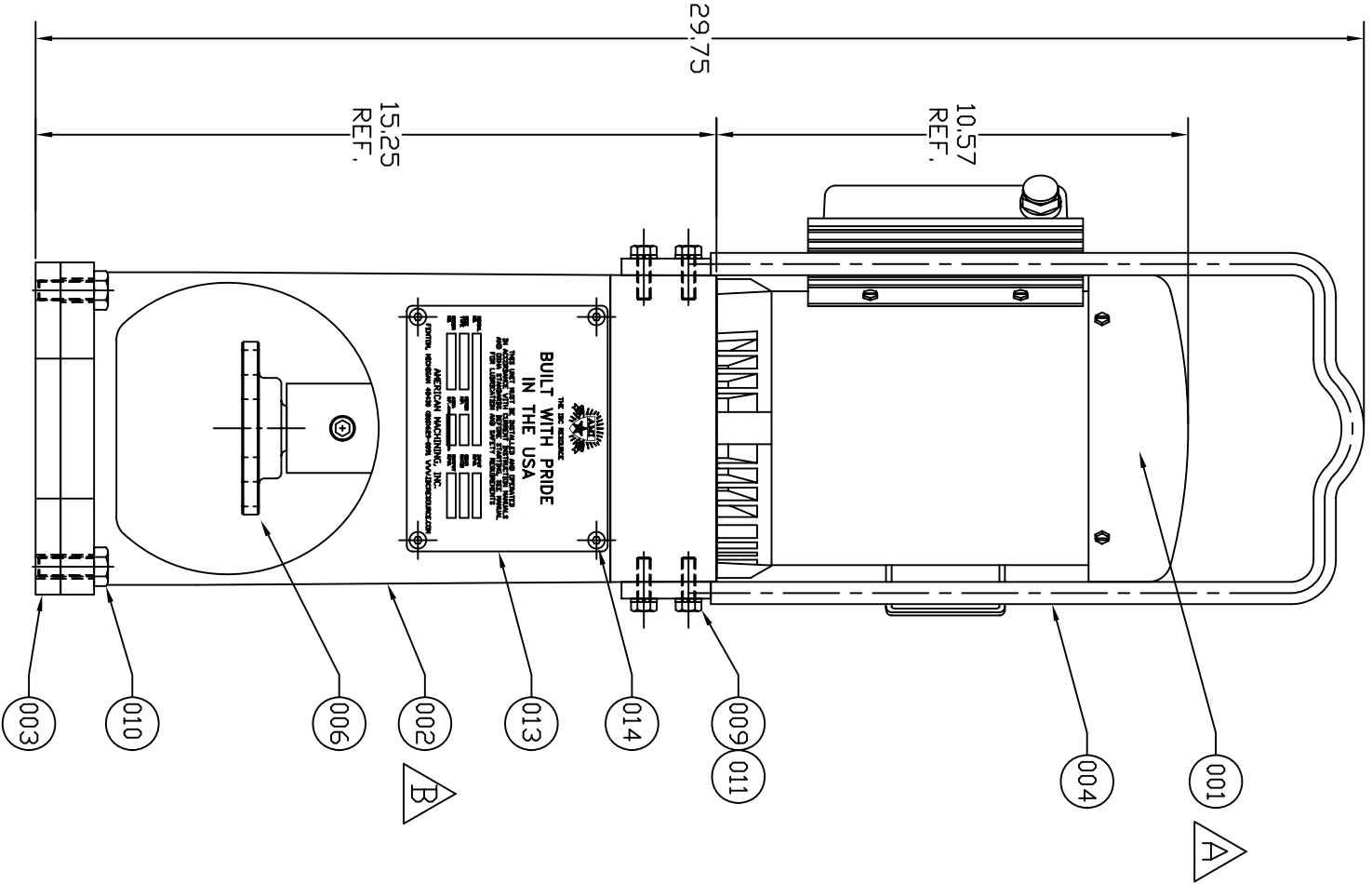
3

2

1



ELECTRICAL CONNECTION	
LOW VOLTAGE (115V)	BLACK LINE
	WHITE NEUTRAL
	PINK TIE TOGETHER
	PINK GROUND
HIGH VOLTAGE (230V)	BLACK LINE
	WHITE LINE
	PINK INSULATE SEPARATELY
	GREEN GROUND



NOTE: THIS UNIT IS NOT RATED FOR HAZARDOUS ATMOSPHERES

ZONE	REV	DESCRIPTION	DATE	REVISED BY	APPROVED BY
-	A	MOTOR SHAFT NOTE REMOVED	09-29-03	M.C.S.	B.R.
-	B	DETAIL 002 WAS 112839 / REMOVED NOTE	12-03-03	M.C.S.	B.R.

DETAIL	QTY.	PART NO.	DESCRIPTION
001	1	114304	MOTOR - 1 HP ELECTRIC
002	1	114834	GEARBOX
003	1	112859	FLANGE - DRIVE ADAPTER
004	1	113233	HANDLE - HEAVY DUTY LIFT
005	15	114305	CABLE - 12/3 SOOW UL/CSA LISTED ELECTRICAL
006	1	112966	ADAPTER - QUICK CONNECT ASSEMBLY
007	1	114306	PLUG - MALE
008	1	114360	GRIP - MALE CORD FITTING
009	4	112975	SCREW - HHCS ZINC PLT
010	4	112867	SCREW - HHCS ZINC PLT
011	4	112755	WASHER - SPLIT LOCK ZINC PLT
012	1	114361	WASHER - CONDUIT LOCK
013	1	111645	TAG - AMI ID 304 SS
014	4	112972	SCREW - BUTTON HD CAP 18-8 SS
015	1	114090	GUARD - DRIVE MOTOR ASSY
016	1	114362	NUT - CONDUIT LOCK ZINC PLATED

UNLESS OTHERWISE SPECIFIED DIMENSIONS ARE IN INCHES  
 FRACTIONS: DECIMALS: DECIMALS: ANGLES: ° ± 1'  
 XX DECIMALS XXXX ANGLES: ° ± 1'  
 ± 1/32 ± .010 ± .005 ± .001 ± 1'

THIS DRAWING HAS BEEN FURNISHED BY AMERICAN MACHINING, INC. THE INFORMATION AND KNOW-HOW CONTAINED HEREIN IS NOT TO BE USED FOR THE REPRODUCTION OF AMERICAN MACHINING, INC. ALL REPRODUCTIONS IN WHOLE OR IN PART, INCLUDING VENDOR SHOP DRAWINGS, SHALL BEAR OR REFER TO THIS NOTE.

FINISH: N/A ✓  
 SERIAL FINISH: N/A ✓  
 DRAWN BY: M. SCHULTE 10/28/02  
 CHECKED BY: B. REICH 10/24/02

APPROVED BY: *B. REICH* DATE: 10/28/02

DESCRIPTION: DRIVE - 1 HP VARIABLE SPEED ELEC. ASSY W/ QUICK CONNECT 115/230 VAC 1PH 60 HZ  
 PART NUMBER: 114500 - SERVICE  
 SCALE: 1/4 (M/T: AS NOTED) SHEET 1 OF 1

A

B

C

D

4

3

2

1