

ATTACHMENT INSTRUCTIONS:

- 1) REMOVE GUARD (NOT SHOWN) FROM DRIVE
- 2) PLACE DRIVE ON COVER FLANGE.
- 3) ROTATE DRIVE 1/6 TURN COUNTER CLOCKWISE TO ENGAGE DRIVE LOCKING LUGS. (SEE FIG. 2)
- 4) ROTATE SHAFT ADAPTER TILL HEX SOCKET DROPS ONTO AND ENGAGES SHAFT. (SEE FIG. 3)
 - * A GREEN BAND WILL BE VISIBLE ON SHAFT ADAPTER WHEN SOCKET IS SEATED PROPERLY.
- 5) RE-INSTALL GUARD ON DRIVE ASSEMBLY

REVISIONS

ZONE	REV	DESCRIPTION	DATE	REVISED BY	APPROVED BY
------	-----	-------------	------	------------	-------------

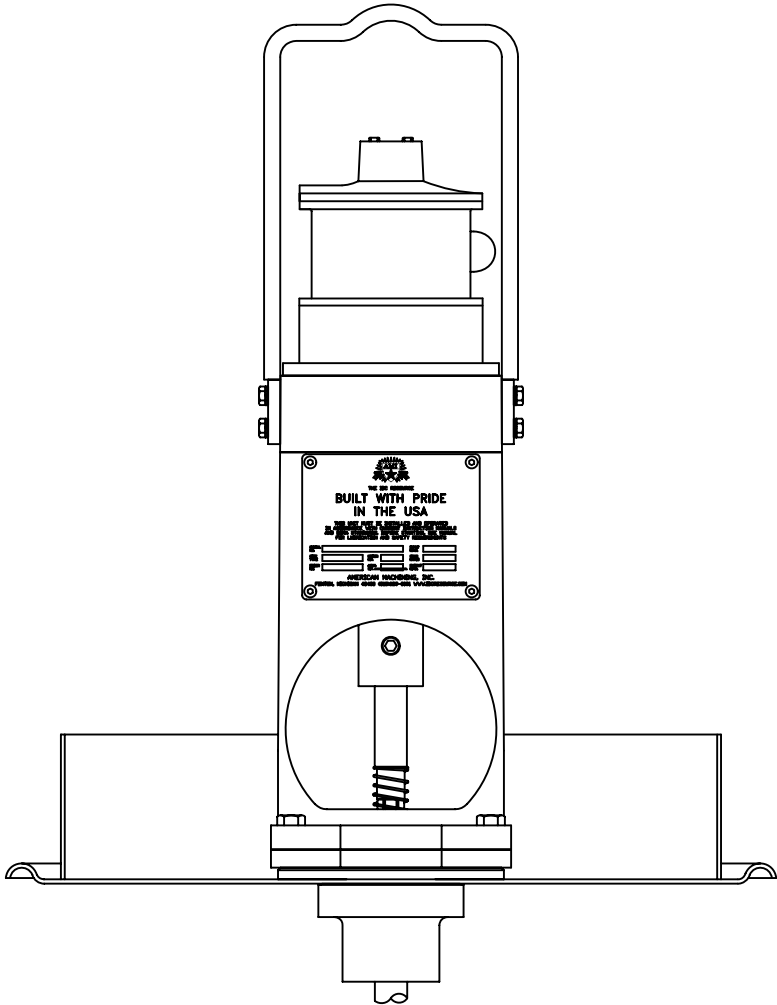


FIGURE 3

D
C
B
A

UNLESS OTHERWISE SPECIFIED
DIMENSIONS ARE IN INCHES
GENERAL TOLERANCES

FRACTIONS:	JOK DECIMALS:	J00K DECIMALS:	J000K DECIMALS:	ANGLES:
N/A	N/A	N/A	N/A	N/A

THIS DRAWING HAS BEEN FURNISHED BY AMERICAN MACHINING, INC. THE INFORMATION AND KNOW-HOW CONTAINED MAY NOT BE USED NOR MAY THE DRAWING BE REPRODUCED WITHOUT THE WRITTEN PERMISSION OF AMERICAN MACHINING, INC. ALL REPRODUCTIONS IN WHOLE OR IN PART, INCLUDING VENDOR SHOP DRAWINGS, SHALL BEAR OR REFER TO THIS NOTE.

PROJECTION

DO NOT SCALE THIS DRAWING
BREAK SHARP EDGES
REMOVE BURRS & FLASH

FINISH: N/A ✓

SPECIAL FINISH: N/A

DRAWN BY: H. SCHULTE 11-07-03

CHECKED BY: B. REICH 11-07-03

APPROVED BY: _____ DATE: _____

AMERICAN MACHINING, INC.
FENTON, MICHIGAN

DESCRIPTION
DRAWING - INSTRUCTION
HEX DRIVE ASSEMBLY

SIZE	PART NUMBER	REV
C	114816	-

SCALE: N/A MAT'L: N/A SHEET 1 OF 1